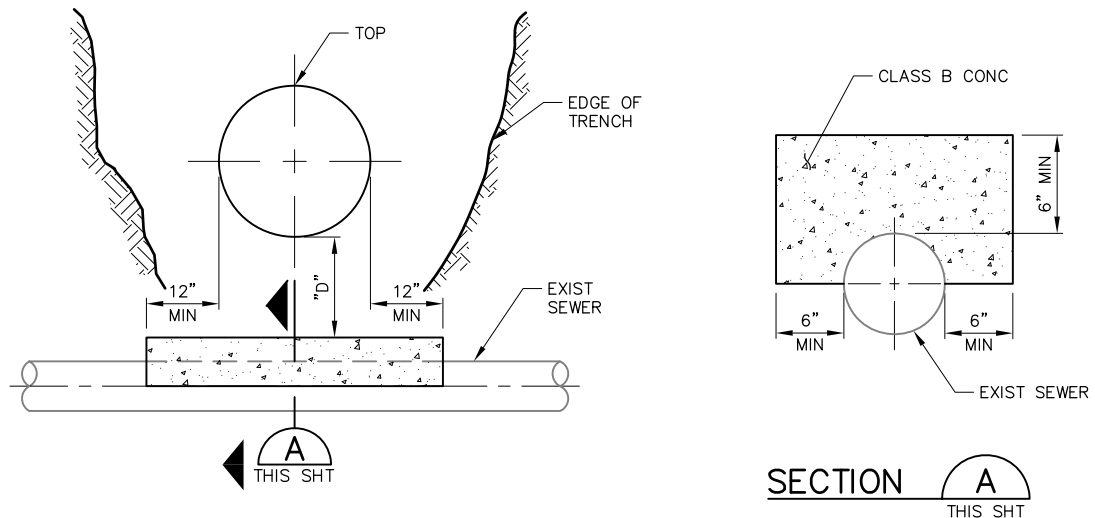


**SEWER CROSSING OVER**



**SEWER CROSSING UNDER**

WITH "D" LESS THAN 2'

**NOTES:**

1. ANY EXISTING SEWER DAMAGED DURING INSTALLATION MUST BE REPLACED WITH PVC PIPE.
2. IN THE CITY & COUNTY OF DENVER, WASTEWATER MANAGEMENT APPROVED FLEX COUPLING SHALL BE USED: FERNCO 5000 SERIES REPAIR COUPLING, MISSION FLEX-SEAL ADJUSTABLE REPAIR COUPLING, ONSET SHEAR GUARD.
3. ANY SUBDRAIN UNDER THE SEWER SHALL BE REPLACED SUCH THAT NO FLOW SHALL ENTER THE WATER LINE TRENCH.

<b>DENVER WATER</b> 1600 West 12th Avenue • Denver, Colorado 80204 Phone (303) 628-6000 • Telecopier No. (303) 628-6851	
<b>STORM &amp; SANITARY SEWER CROSSING</b>	
Scale: <u>  NONE  </u>	Date: <u>  March 2012  </u>
Drawn: <u>  C.A.M.  </u>	Ck: <u>  K ROSS  </u>
Approved: <u>  [Signature]  </u>	Dr. <u>  127  </u> No. <u>  35  </u>