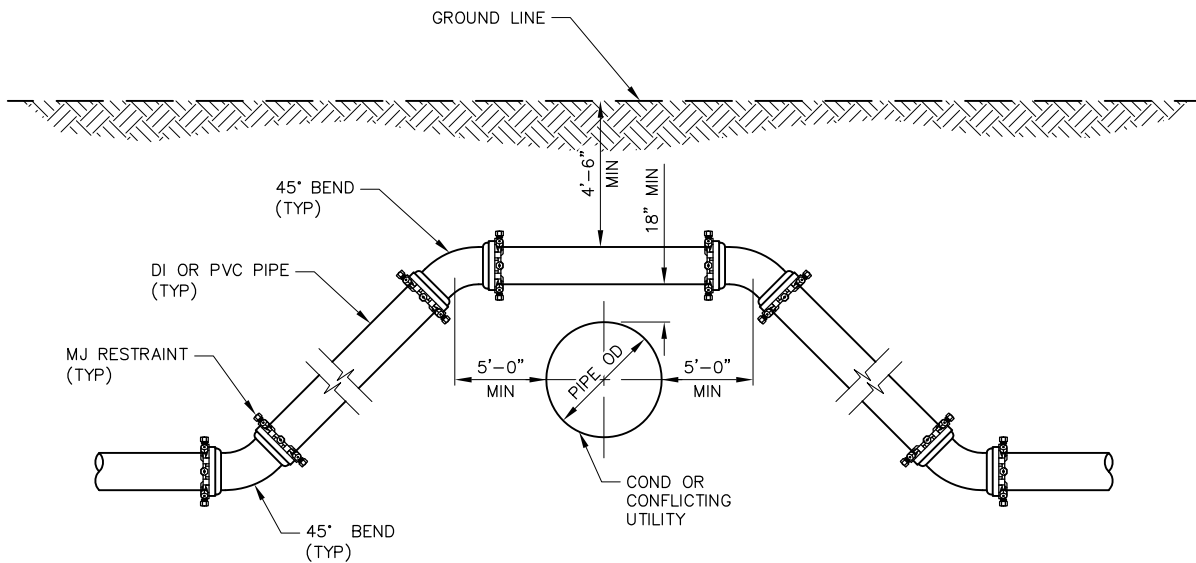



CROSSING UNDER



CROSSING OVER

NOTE:

A BORED CROSSING MAY BE REQUIRED BY DENVER WATER.

 <p>DENVER WATER 1600 West 12th Avenue • Denver, Colorado 80204 Phone (303) 628-6000 • Telecopier No. (303) 628-6851</p>	
<p>OPEN CUT CROSSING OVER OR UNDER CONDUIT OR CONFLICTING UTILITY</p>	
Scale: <u> NONE </u>	Date: <u> March 2012 </u>
Drawn: <u> C.B.B. </u>	Ck: <u> K ROSS </u>
Approved: <u> [Signature] </u>	Dr. <u> 127 </u> No. <u> 35 </u>