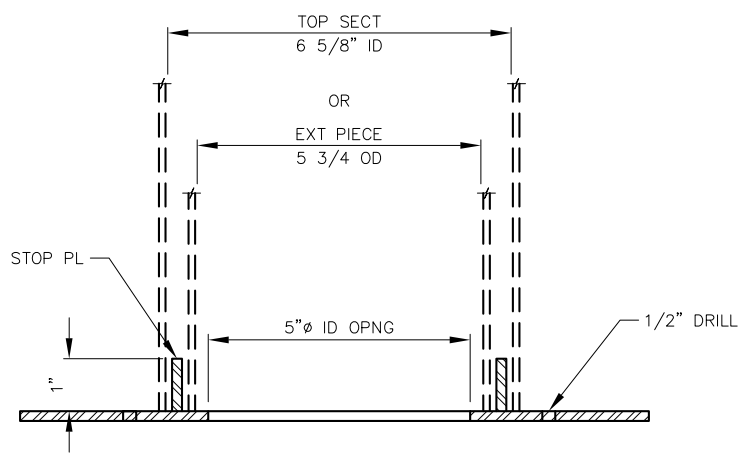


1/2" DRILL FOR
3/8" 18-8 SST
EXP AHR x 2 3/4"

VALVE BOX SUPPORT PLATE PLAN



SECTION A
THIS SHT

NOTES:

1. PLATE SHALL BE ASTM A 36.
2. PLATE SHALL BE COATED WITH LIQUID EPOXY, 16 MIL DRY FILM THICKNESS IN ACCORDANCE WITH AWWA C210. COLOR: BLACK SHEEN: FLAT

DENVER WATER 1600 West 12th Avenue • Denver, Colorado 80204 Phone (303) 628-6000 • Telecopier No. (303) 628-6851	
<h3>VALVE BOX SUPPORT PLATE</h3>	
Scale: <u>NONE</u>	Date: <u>June 2014</u>
Drawn: <u>C.B.B.</u>	Ck: <u>K ROSS</u>
Approved: <u>Steph C. Row</u>	Dr. <u>127</u> No. <u>35</u>