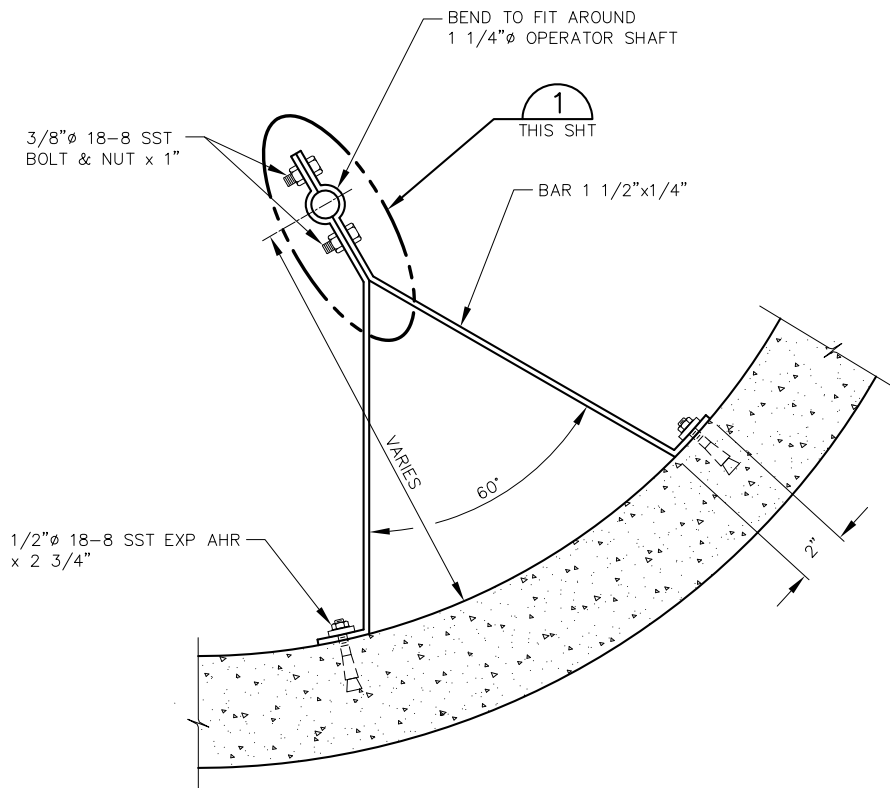


**DETAIL** 1  
THIS SHT



**NOTES:**

1. BAR SHALL BE ASTM A 36.
2. BAR SHALL BE COATED WITH LIQUID EPOXY, 16 MIL DRY FILM THICKNESS IN ACCORDANCE WITH AWWA C210. COLOR: BLACK SHEEN: FLAT

<b>DENVER WATER</b>	
1600 West 12th Avenue • Denver, Colorado 80204 Phone (303) 628-6000 • Telecopier No. (303) 628-6851	
<b>VALVE OPERATOR GUIDE</b>	
Scale: <u>  NONE  </u>	Date: <u>  June 2014  </u>
Drawn: <u>  C.B.B.  </u>	Ck: <u>  K ROSS  </u>
Approved: <u>  Steph C. Row  </u>	Dr. <u>  127  </u> No. <u>  35  </u>