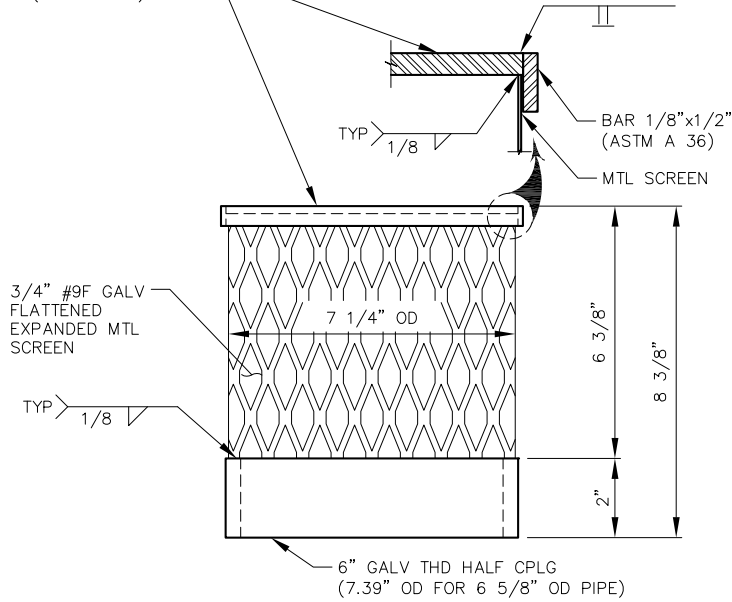
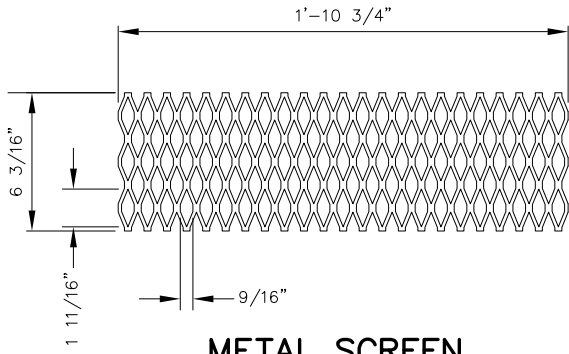


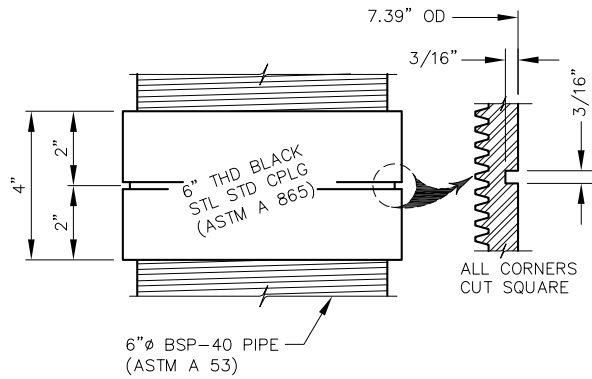
PL 3/16"x7 3/8"φ
(ASTM A 36)



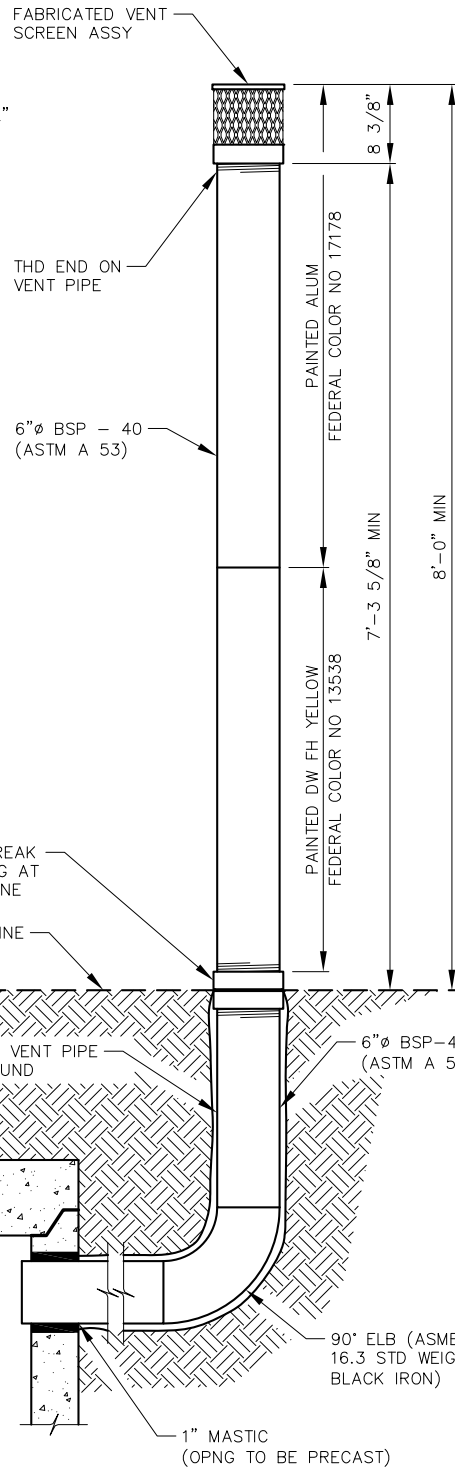
VENT SCREEN ASSEMBLY



METAL SCREEN



BREAK AWAY COUPLING



VENT PIPE ELEVATION

NOTES:

1. VENT PIPES SHALL BE LOCATED IN FIELD AT THE NEAREST INTERSECTION OF THE STREET PROPERTY LINE AND THE SIDE LOT LINE.
2. TOUCH UP BURIED AREAS DAMAGED BY WELDING WITH SILVER COLORED ZINC RICH PAINT.

DENVER WATER

1600 West 12th Avenue • Denver, Colorado 80204
Phone (303) 628-6000 • Telecopier No. (303) 628-6851

6"φ INDUSTRIAL VENT PIPE ASSEMBLY

Scale: NONE Date: June 2014

Drawn: C.A.M. Ck: K ROSS

Approved: [Signature] Dr. 127 No. 35