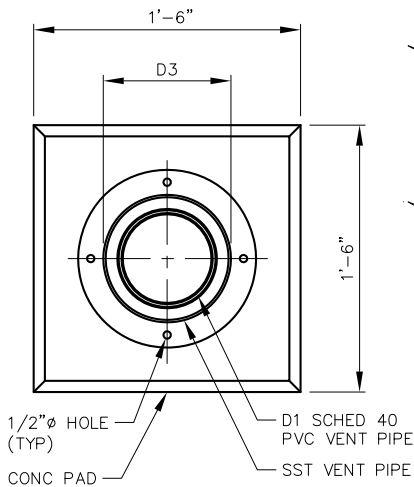
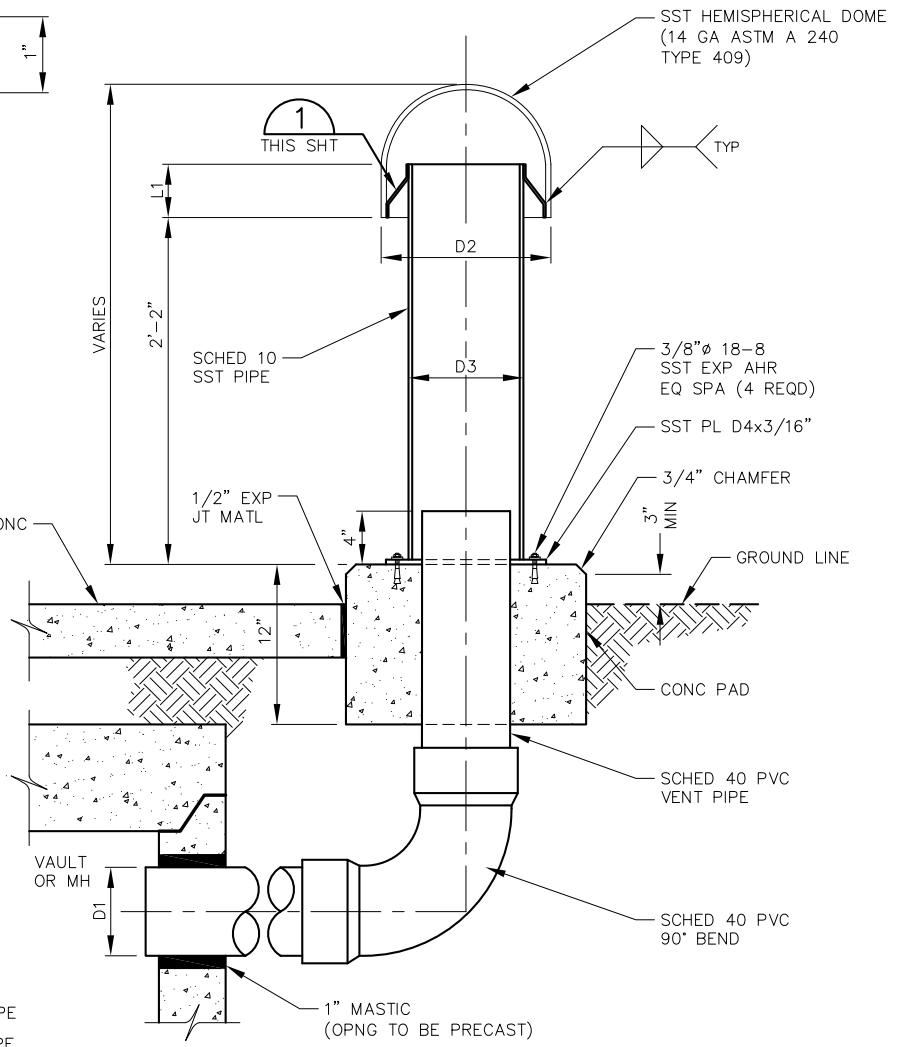


**DETAIL**  
4 REQD THIS SHT



**BASE PLAN**



**SECTIONAL VIEW**

VENT PIPE DIAMETER IN VAULT	CAP DIAMETER	VENT CAP PIPE DIAMETER	FLANGE DIAMETER	BRACKET WIDTH	BRACKET LENGTH
D1	D2	D3	D4	W1	L1
6"	14"	8"	12"	3 1/4"	4"
8"	18"	10"	14"	3 1/16"	4"
10"	24"	12"	16"	4 15/16"	4"

**NOTE:**

COAT ASSEMBLY WITH EPOXY, 8 MILS MINIMUM.  
COLOR: BLACK SHEEN: FLAT

<b>DENVER WATER</b> 1600 West 12th Avenue • Denver, Colorado 80204 Phone (303) 628-6000 • Telecopier No. (303) 628-6851	
<b>6" Ø RESIDENTIAL VENT PIPE ASSEMBLY</b>	
Scale: <u>NONE</u>	Date: <u>June 2014</u>
Drawn: <u>C.B.B.</u>	Ck: <u>K ROSS</u>
Approved: <u>Steph C. Ross</u>	Dr. <u>127</u> No. <u>35</u>