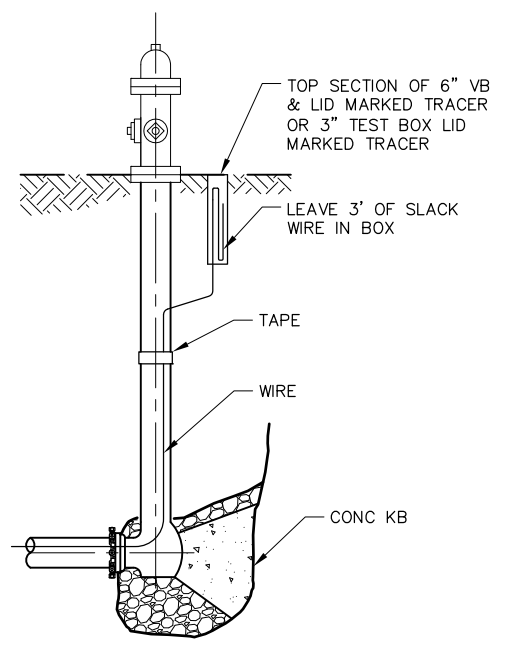
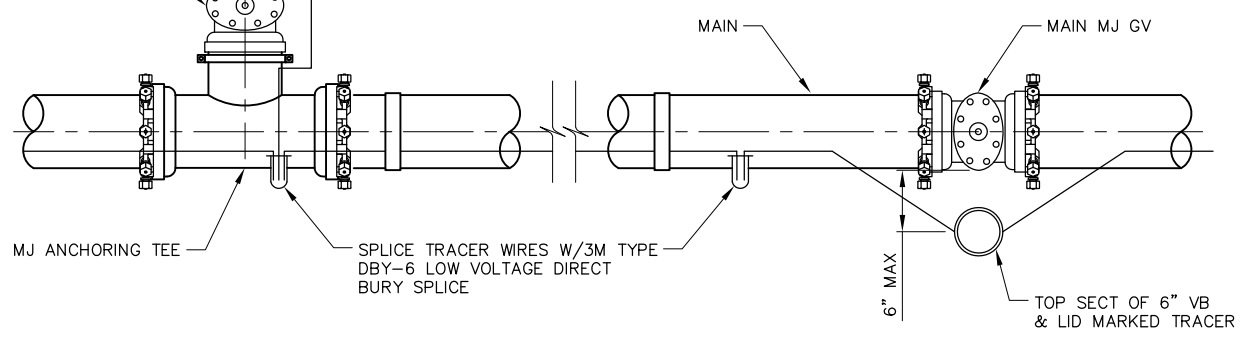


FIRE HYDRANT
PLAN VIEW



ELEVATION



LINE VALVE
PLAN VIEW

DENVER WATER 1600 West 12th Avenue • Denver, Colorado 80204 Phone (303) 628-6000 • Telecopier No. (303) 628-6851	
TRACER WIRE INSTALLATION FOR PVC WATER MAIN	
Scale: <u>NONE</u>	Date: <u>March 2012</u>
Drawn: <u>C.A.M.</u>	Ck: <u>K ROSS</u>
Approved: <u>[Signature]</u>	Dr. <u>127</u> No. <u>35</u>