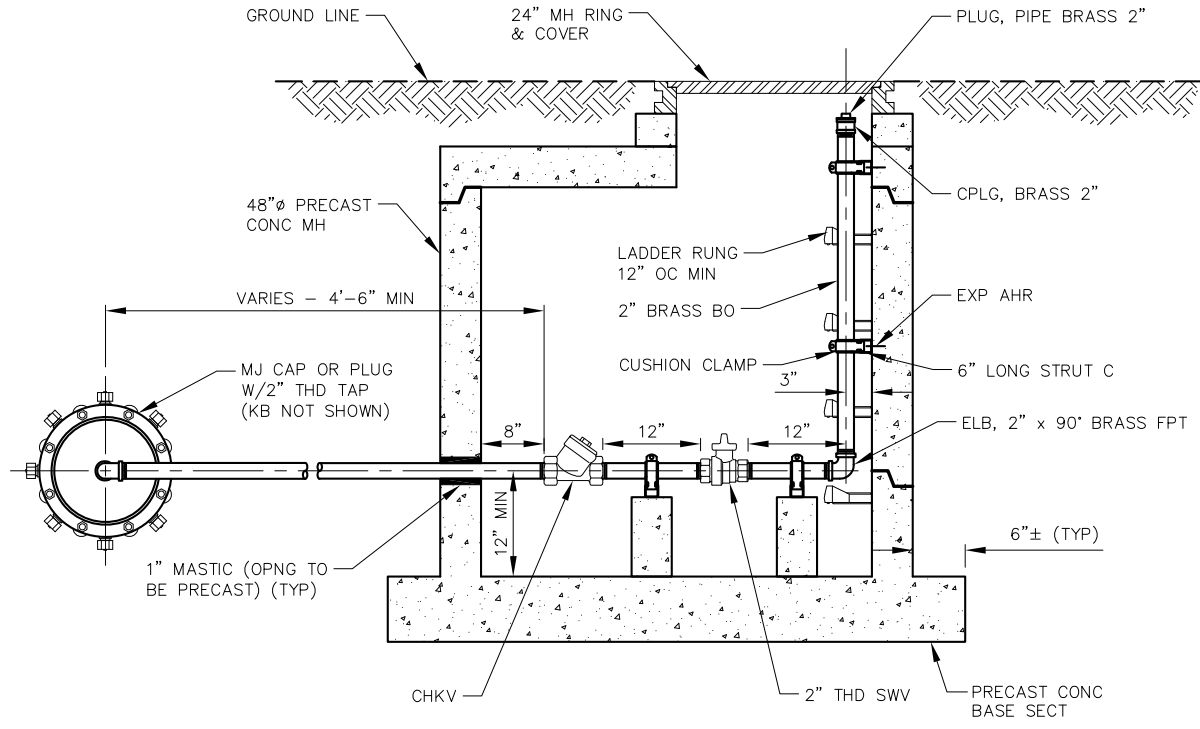


**PLAN**



**ELEVATION**

**NOTE:**  
 CAP OR PLUG SHALL BE MECHANICALLY RESTRAINED.  
 (SHOWN AS A SPIGOT WITH A CAP).

<b>DENVER WATER</b> 1600 West 12th Avenue • Denver, Colorado 80204 Phone (303) 628-6000 • Telecopier No. (303) 628-6851			
<b>STANDARD DESIGN FOR 2" BLOWOFF IN MANHOLE</b>			
Scale: <u>  NONE  </u>	Date: <u>  June 2014  </u>		
Drawn: <u>  C.A.M.  </u>	Ck: <u>  K ROSS  </u>		
Approved: <i>Steph C. Ross</i>		Dr. <u>  127  </u> No. <u>  35  </u>	