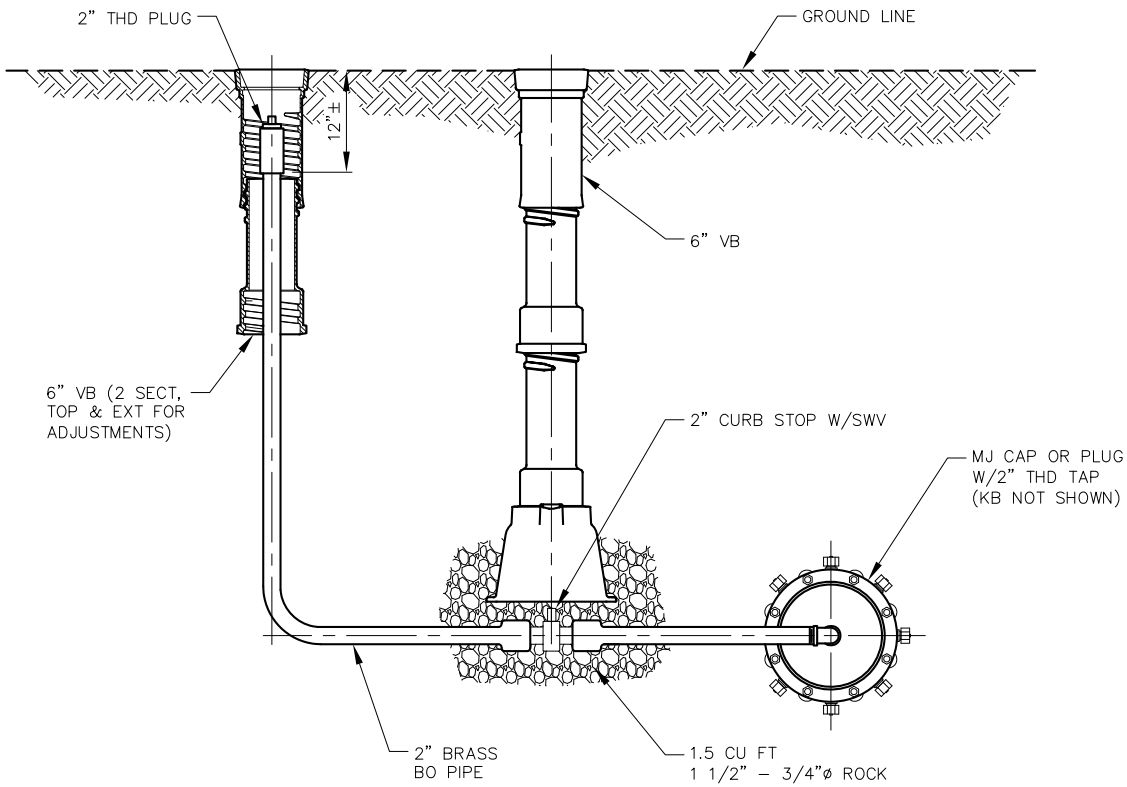


PLAN



ELEVATION

NOTES:

1. CAP OR PLUG SHALL BE MECHANICALLY RESTRAINED (SHOWN AS A SPIGOT WITH A CAP).
2. FOR USE WITH FUTURE STUB-OUT INSTALLATIONS ONLY.

DENVER WATER <small>1600 West 12th Avenue • Denver, Colorado 80204 Phone (303) 628-6000 • Telecopier No. (303) 628-6851</small>	
TEMPORARY BLOWOFF INSTALLATION FOR 12" & SMALLER PIPE	
Scale: <u> NONE </u>	Date: <u> June 2014 </u>
Drawn: <u> C.A.M. </u>	Ck: <u> K ROSS </u>
Approved: <u> [Signature] </u>	Dr. <u> 127 </u> No. <u> 35 </u>