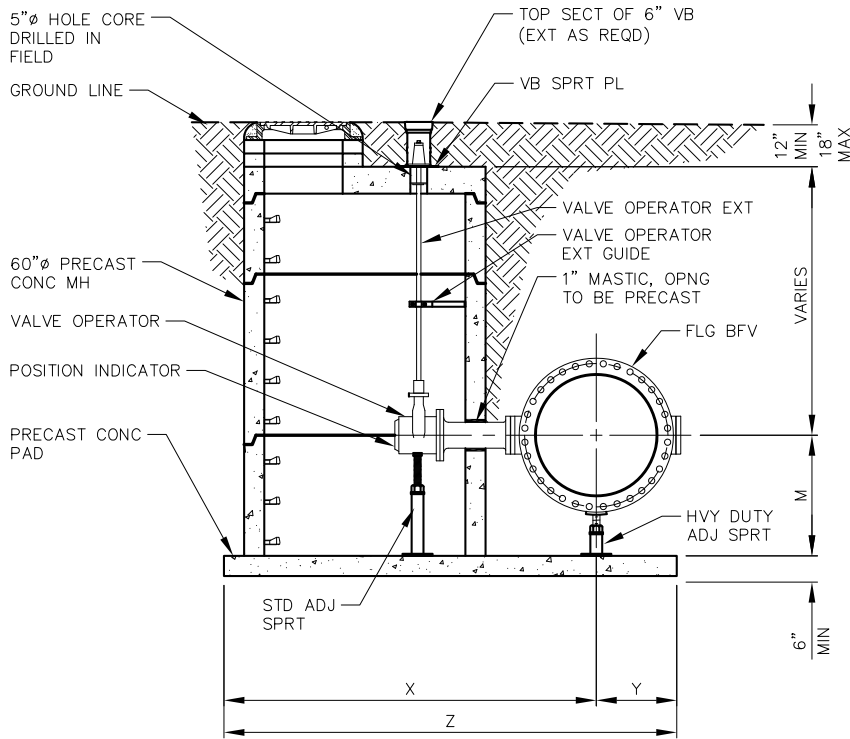


**PLAN**



**ELEVATION**

**DIMENSION TABLE**

| VALVE SIZE | L  | M     | X     | Y     | Z      |
|------------|----|-------|-------|-------|--------|
| 16"        | 8" | 2'-0" | 8'-3" | 2'-0" | 10'-3" |
| 20"        | 8" | 2'-0" | 8'-3" | 2'-0" | 10'-3" |

**DENVER WATER**  
 1600 West 12th Avenue • Denver, Colorado 80204  
 Phone (303) 628-6000 • Telecopier No. (303) 628-6851

**BUTTERFLY VALVE ASSEMBLY  
 (DUCTILE IRON PIPE)**

Scale:   NONE        Date:   June 2014  

Drawn:   C.A.M.        Ck:   K ROSS  

Approved:   [Signature]        Dr.   127   No.   35