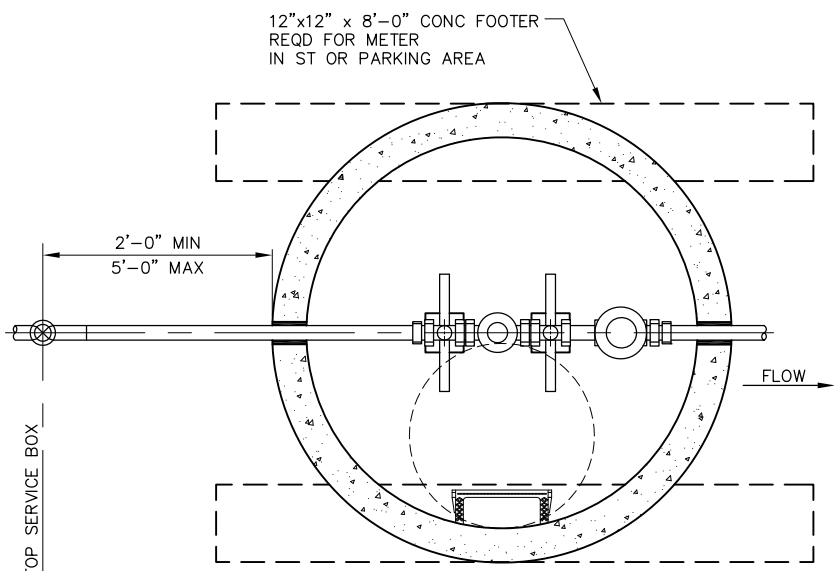
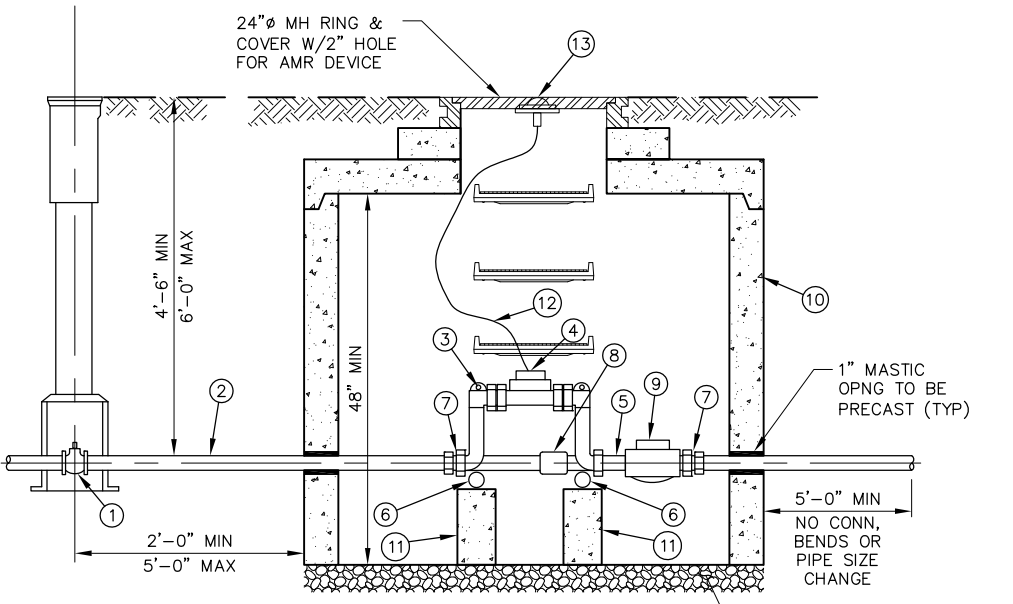


KEY NOTES:

- ① CURB STOP
- ② TYPE "K" CU TUBING
- ③ 12" COPPERSETTER/METER YOKE W/ BYPASS
- ④ WATER METER W/ ENCODER REGISTER
- ⑤ 3" NIPPLE BTWN COPPERSETTER & CHKV
- ⑥ 1" x 23" BSP-40
- ⑦ IRON PIPE TO FLARE CPLG FROM INLET SIDE OF COPPERSETTER & OUTLET SIDE OF CHKV
- ⑧ BYPASS W/VALVE WILL BE 1" FOR 1 1/2" COPPERSETTERS & 1 1/2" OR 1 1/4" FOR 2" COPPERSETTERS; NO BYPASS FOR IRR METERS
- ⑨ CHKV (CHKV NOT REQD WHERE A BACKFLOW PREVENTION DEVICE IS INSTL) CHKV MAY BE REQD IF DISTANCE TO BFPA ALLOWS EXCESSIVE WATER TO DRAIN DURING METER MAINTENANCE
- ⑩ 48"Ø PRECAST CONC MH
- ⑪ 4"x4" x 24" CONC BLOCK SPRT
- ⑫ SIGNAL WIRE TO AMR DEVICE
- ⑬ AMR DEVICE



PLAN



ELEVATION

NOTES:

- 1. CURB STOP SHALL BE 24" TO 60" FROM THE INLET SIDE OF THE METER VAULT.
- 2. THE COPPERSETTER OR METER YOKE SHALL BE 12" MAXIMUM.

DENVER WATER <small>1600 West 12th Avenue • Denver, Colorado 80204 Phone (303) 628-6000 • Telecopier No. (303) 628-6851</small>	
OUTSIDE SETTING FOR 1 1/2" & 2" METER WITH CHECK VALVE & BYPASS IN MANHOLE	
Scale: <u> NONE </u>	Date: <u>February 2013</u>
Drawn: <u> C.A.M. </u>	Ck: <u> K ROSS </u>
Approved: <u><i>[Signature]</i></u>	Dr. <u>127</u> No. <u>35</u>