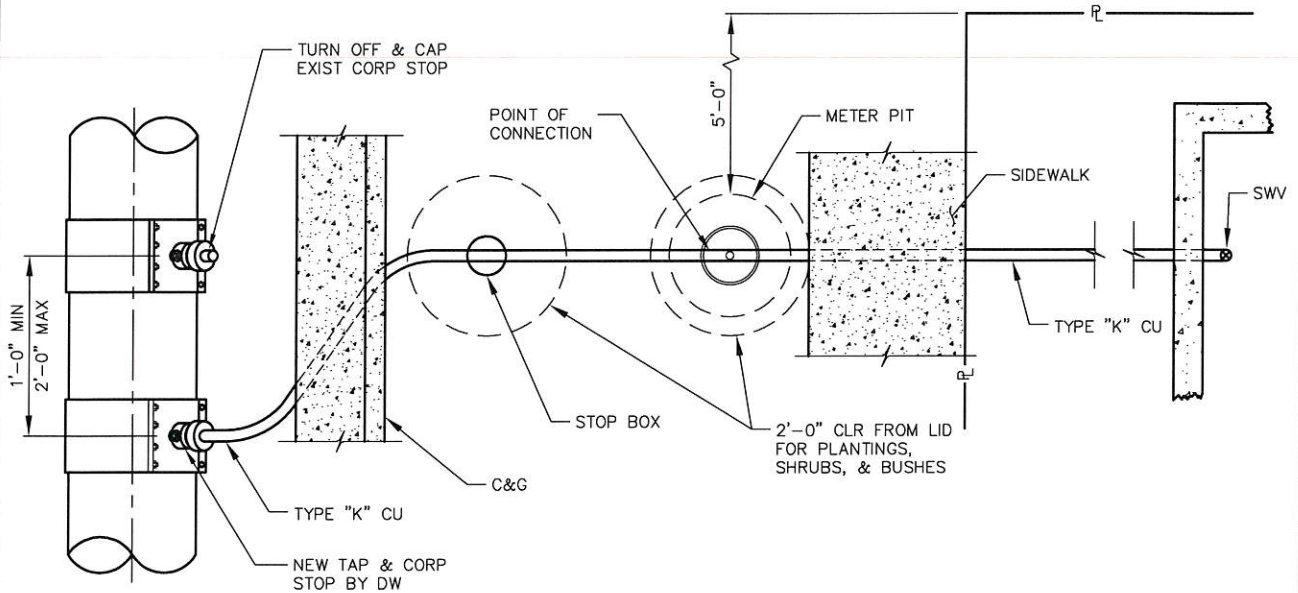


RELOCATION ELEVATION



PLAN

ERRATA 7

NOTE:

LIMITS OF NON-COPPER SERVICE LINE REPLACEMENT EXTENDS FROM THE TAP TO THE FIRST BRASS FITTING INSIDE THE STRUCTURE.

D DENVER WATER	
2" & SMALLER NON-COPPER SERVICE LINE REPLACEMENT	
Scale: <u> NONE </u>	Date: <u> November 2016 </u>
Drawn: <u> RLB </u>	Ck: <u> K ROSS </u>
Approved: <u> Steve C. Ream </u>	Dr. <u> 127 </u> No. <u> 35 </u>