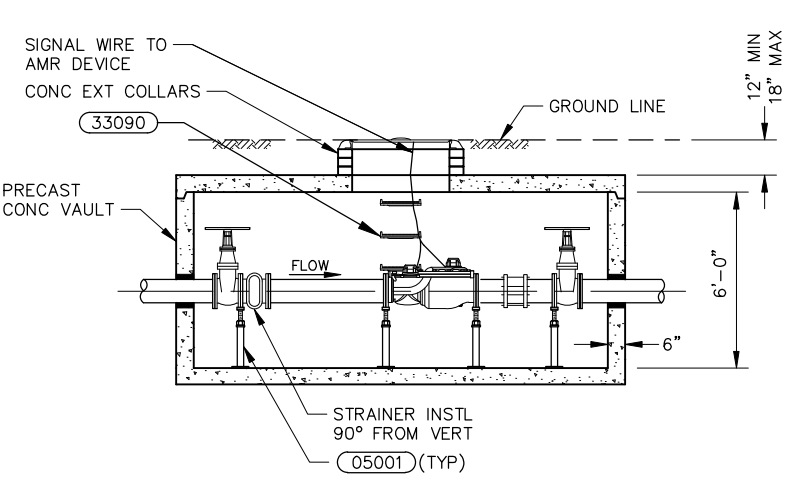
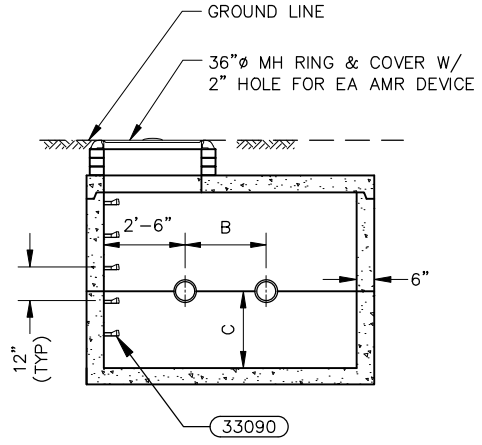


PLAN



SECTION A
THIS SHT



SECTION B
THIS SHT

METER SIZE & NOMINAL PIPE Ø	PRECAST VAULT DIMENSIONS			SUMP		
	A	B	C	D	E	F
3"	9'-0"	2'-0"	2'-2"	12"Ø	2'-2"	1'-6"
4"	9'-0"	2'-6"	2'-2"	12"Ø	2'-2"	1'-6"
6"	9'-0"	2'-6"	2'-2"	12"Ø	2'-2"	1'-6"
8"	13'-6"	2'-6"	2'-6"	18"Ø	2'-6"	1'-9"
10"	13'-6"	2'-6"	2'-6"	18"Ø	2'-6"	1'-9"

NOTES:

1. VALVES INSIDE THE VAULT SHALL BE NON-RISING STEM, RIGHT HAND OPEN VALVES WITH HAND WHEEL OPERATORS.
2. A CHECK VALVE IS REQUIRED BETWEEN COUPLING AND GATE VALVE IF BACKFLOW PREVENTION ASSEMBLY IS MORE THAN 150 FEET FROM VAULT.
3. INSTALL METER VAULT AND SERVICE LINE IN ACCORDANCE WITH SPECIFICATION SECTION 33 19 13.
4. SERVICE LINES SHALL NOT CROSS INSIDE THE METER VAULT.

DRAWN BY: *BAIRES*
 CHKD BY: *K ROSS/*
 APPD BY:
 ORIGINATION DATE: *JANUARY 2021*
 REVISION DATE:

**33271
 LARGE METER IN VAULT**

DENVER WATER
 1600 West 12th Ave
 Denver, Colorado 80204-3412
 T: 303.628.6000
 F: 303.628.6851
 denverwater.org