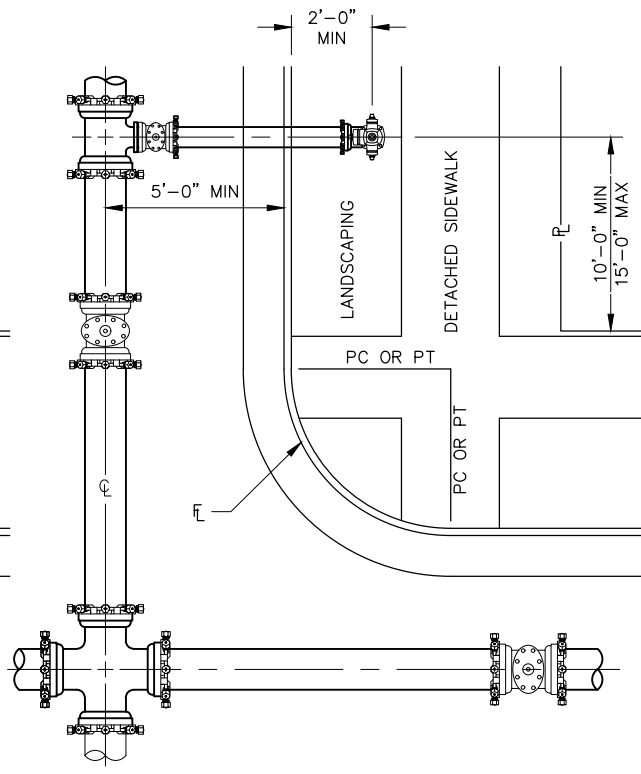
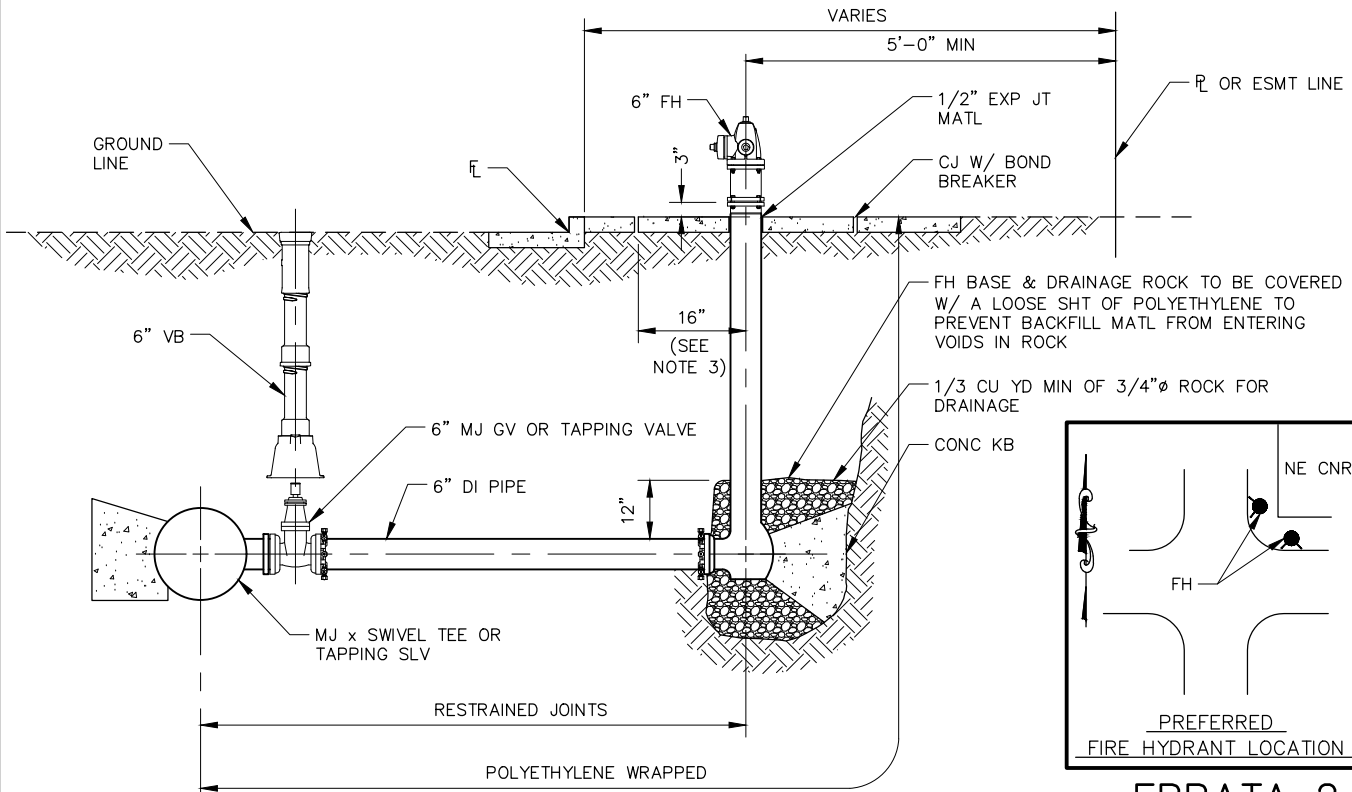


TYPICAL ATTACHED SIDEWALK



TYPICAL DETACHED SIDEWALK



ERRATA 2

NOTES:

1. NO HORIZONTAL OR VERTICAL BENDS ARE ALLOWED IN FIRE HYDRANT BRANCH.
2. DO NOT COVER OR PLUG DRAIN HOLES WITH CONCRETE.
3. PROVIDE A 32-INCH BY 32-INCH BY 4-INCH CONCRETE PAD WITH CONSTRUCTION JOINT BOND BREAKERS WHEN FIRE HYDRANT IS INSTALLED IN SIDEWALK OR SIMILAR PAVED AREA.
4. FIRE HYDRANT SHALL NOT BE INSTALLED WITHIN CURB RAMP.



**PLAN, PROFILE, & LOCATION FOR
FIRE HYDRANTS, MAINS, & VALVES**

Scale: <u> NONE </u>	Date: <u> January 2020 </u>
Drawn: <u> RLB </u>	Ck: <u> K ROSS </u>
Approved: <u> <i>[Signature]</i> </u>	Dr. <u> 127 </u> No. <u> 35 </u>