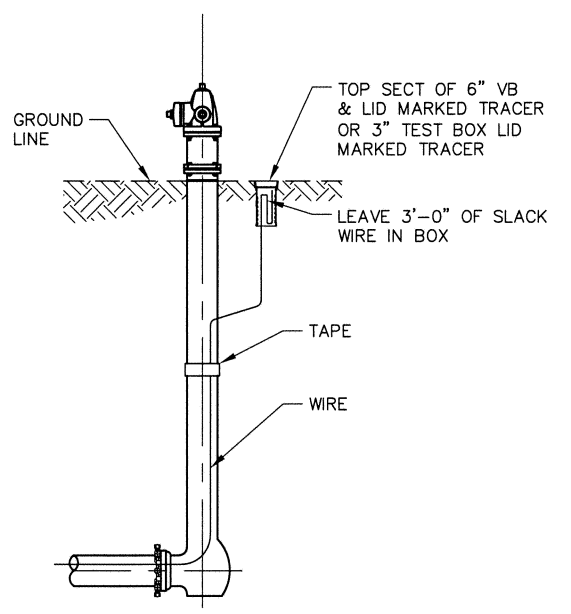
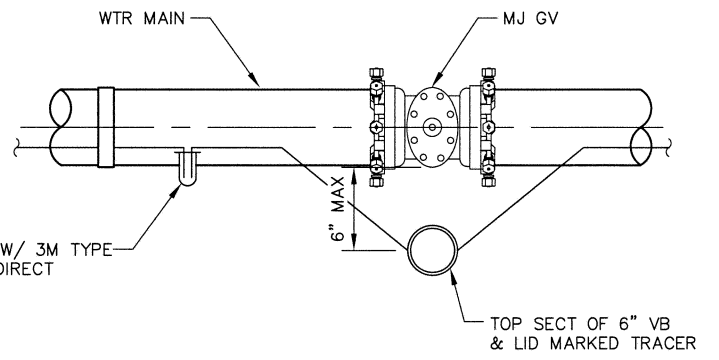


FIRE HYDRANT PLAN



ELEVATION



LINE VALVE

D DENVER WATER	
TRACER WIRE INSTALLATION FOR PVC WATER MAIN	
Scale: <u> NONE </u>	Date: <u> May 2018 </u>
Drawn: <u> RLB </u>	Ck: <u> K ROSS </u>
Approved: <u> [Signature] </u>	Dr. <u> 127 </u> No. <u> 35 </u>