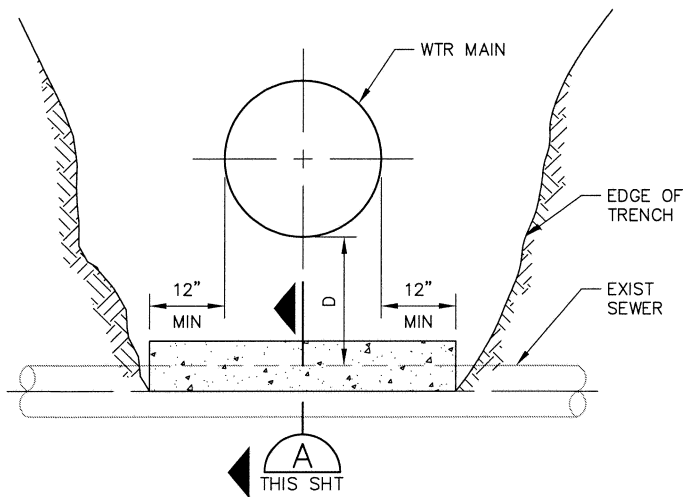
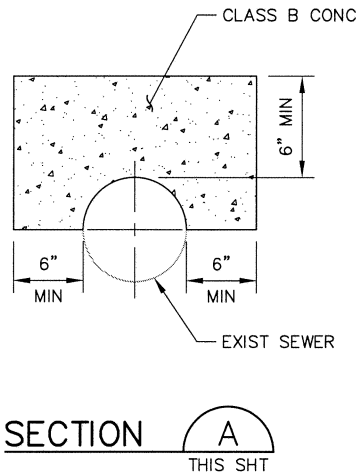


**SEWER CROSSING OVER**



**SEWER CROSSING UNDER**

WITH D LESS THAN 2'



**SECTION**

THIS SHT

**NOTES:**

1. ANY EXISTING SEWER DAMAGED DURING INSTALLATION SHALL BE REPLACED AS REQUIRED BY APPLICABLE SEWER JURISDICTION.
2. ANY SUBDRAIN UNDER THE SEWER SHALL BE REPLACED SUCH THAT NO FLOW SHALL ENTER THE WATER LINE TRENCH.
3. CONFIRM REQUIREMENTS OF THIS DETAIL WITH AUTHORITY HAVING JURISDICTION.



**STORM & SANITARY SEWER CROSSING**

Scale: <u>  NONE  </u>	Date: <u>  May 2018  </u>
Drawn: <u>  RLB  </u>	Ck: <u>  K ROSS  </u>
Approved: <u>  [Signature]  </u>	Dr. <u>  127  </u> No. <u>  35  </u>