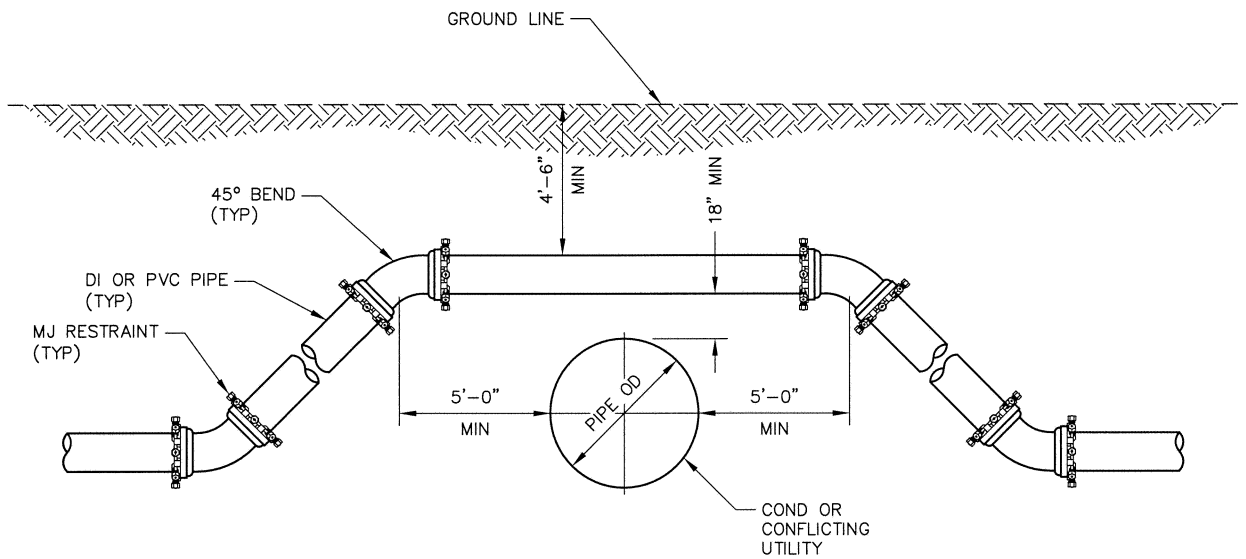


CROSSING UNDER



CROSSING OVER

NOTE:

A BORED CROSSING MAY BE REQUIRED BY DENVER WATER.



**OPEN CUT CROSSING OVER OR UNDER
CONDUIT OR CONFLICTING UTILITY**

Scale: NONE Date: May 2018

Drawn: RLB Ck: K ROSS

Approved: Stephen C. Rem Dr. 127 No. 35