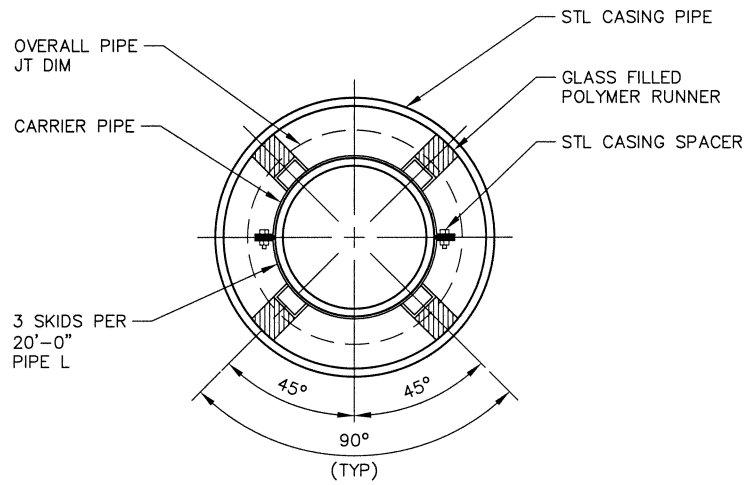


SLED



PIPE CASING

CARRIER PIPE NOMINAL Ø	CASING PIPE	
	MIN OD	MIN WALL THICKNESS
4"	12"	0.25"
6"	16"	0.3125"
8"	18"	0.3125"
12"	22"	0.375"
16"	28"	0.500"
20"	32"	0.500"

NOTES:

1. CASING LENGTH CALCULATED ACCORDING TO SHEET 16.
2. TRENCH LAID CASINGS SHALL BE DESIGNED AND INSTALLED IN ACCORDANCE WITH DENVER WATER CAPITAL PROJECTS CONSTRUCTION STANDARDS.



BORE CASING DETAIL

Scale: <u> NONE </u>	Date: <u> May 2018 </u>
Drawn: <u> RLB </u>	Ck: <u> K ROSS </u>
Approved: <u> Steph C. Rem </u>	Dr. <u> 127 </u> No. <u> 35 </u>