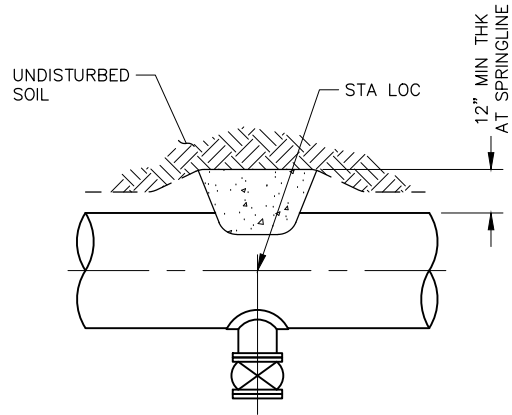
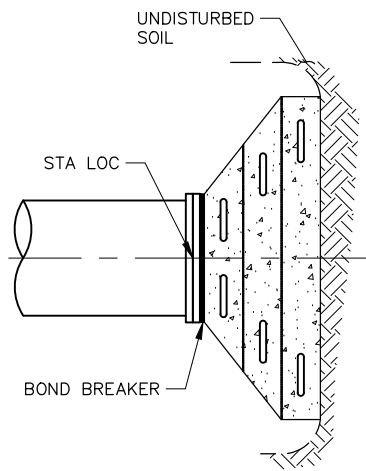


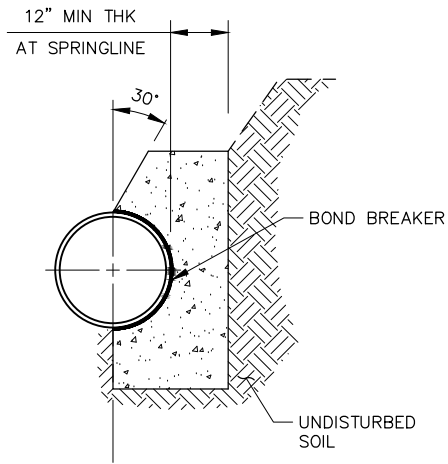
PLAN-TYPE 1



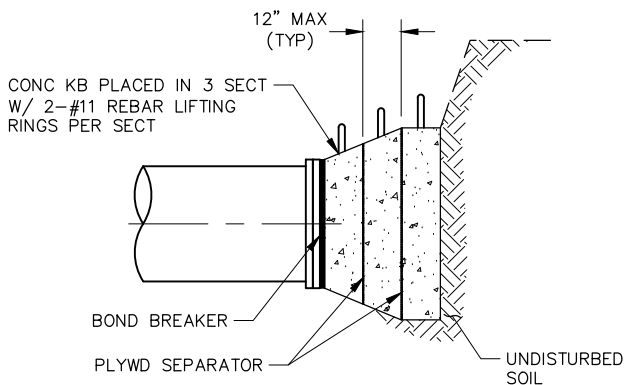
PLAN-TYPE 2



PLAN-TYPE 3



ELEVATION-TYPE 1 & 2



ELEVATION-TYPE 3

MINIMUM BEARING SURFACE AREA
(IN SQUARE FEET)

NOMINAL PIPE Ø	BENDS				TEE OR DEAD END
	11 1/4°	22 1/2°	45°	90°	
4"	1.00	1.00	1.00	1.75	1.25
6"	1.00	1.25	2.25	3.25	2.75
8"	1.00	2.00	3.75	6.75	5.00
12"	2.25	4.25	8.25	15.00	10.75
16"	3.25	7.50	14.25	26.50	18.75
20"	5.00	9.75	19.25	35.50	25.00

ERRATA 2

NOTES:

- THE MINIMUM BEARING SURFACE AREAS SHOWN IN THE TABLE ARE BASED ON 150 POUNDS PER SQUARE INCH INTERNAL PIPE PRESSURE PLUS WATER HAMMER AND 3000 POUNDS PER SQUARE FOOT ALLOWABLE SOIL BEARING CAPACITY.
 - WATER HAMMER = 110 POUNDS PER SQUARE INCH FOR 4-INCH, 6-INCH, 8-INCH, 12-INCH, AND 16-INCH.
 - WATER HAMMER = 70 POUNDS PER SQUARE INCH FOR 20-INCH.
- SEE SPECIFICATION SECTIONS 6.29 AND 8.18 FOR ADDITIONAL KICKBLOCK REQUIREMENTS.



CONCRETE KICKBLOCKS BEARING SURFACES & INSTALLATION

Scale: NONE Date: January 2020
 Drawn: RLB Ck: K ROSS
 Approved: *[Signature]* Dr. 127 No. 35