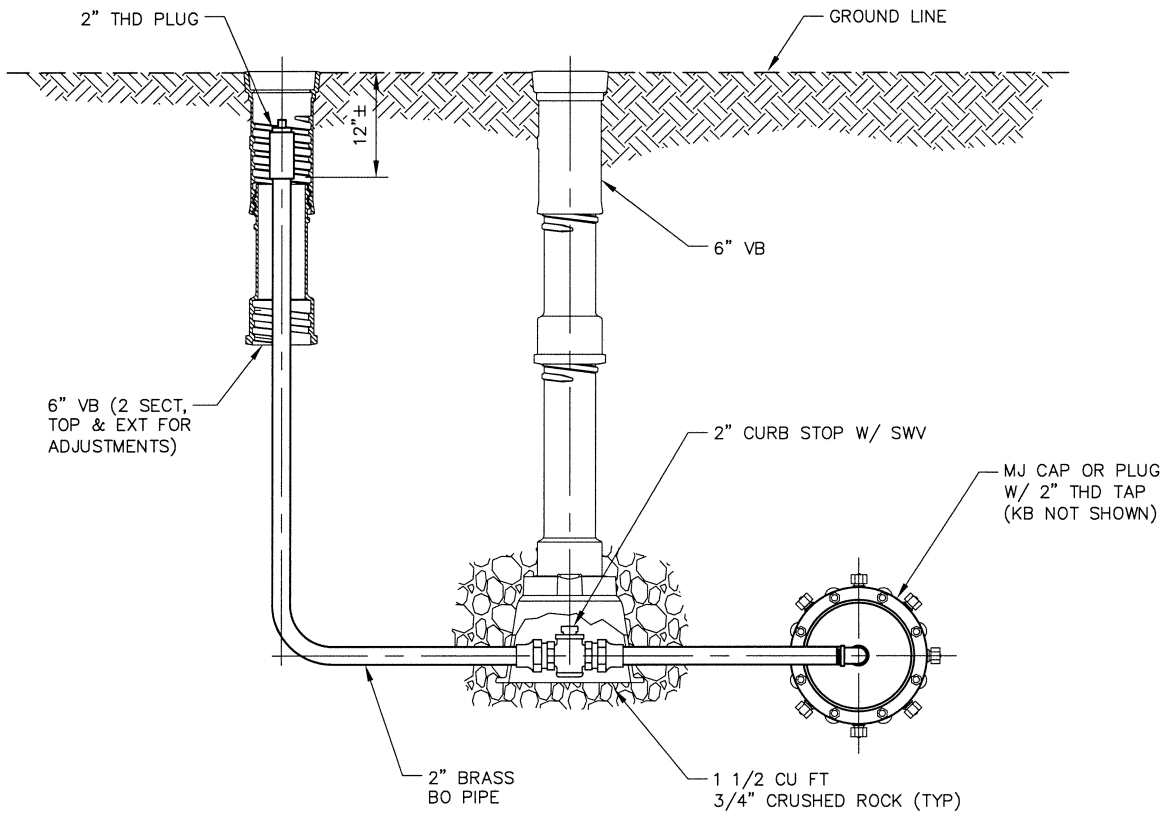


PLAN



ELEVATION

**NOTES:**

1. CAP OR PLUG SHALL BE MECHANICALLY RESTRAINED (SHOWN AS A SPIGOT WITH A CAP).
2. FOR USE WITH FUTURE STUB-OUT INSTALLATIONS ONLY.

<b>D DENVER WATER</b>	
<b>TEMPORARY BLOWOFF INSTALLATION FOR 12" &amp; SMALLER MAINS</b>	
Scale: <u>  NONE  </u>	Date: <u>  May 2018  </u>
Drawn: <u>  RLB  </u>	Ck: <u>  K ROSS  </u>
Approved: <u>  [Signature]  </u>	Dr. <u>  127  </u> No. <u>  35  </u>