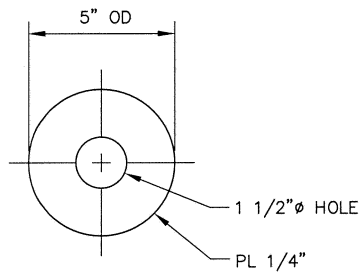
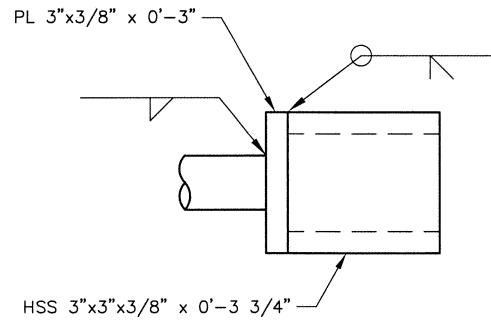


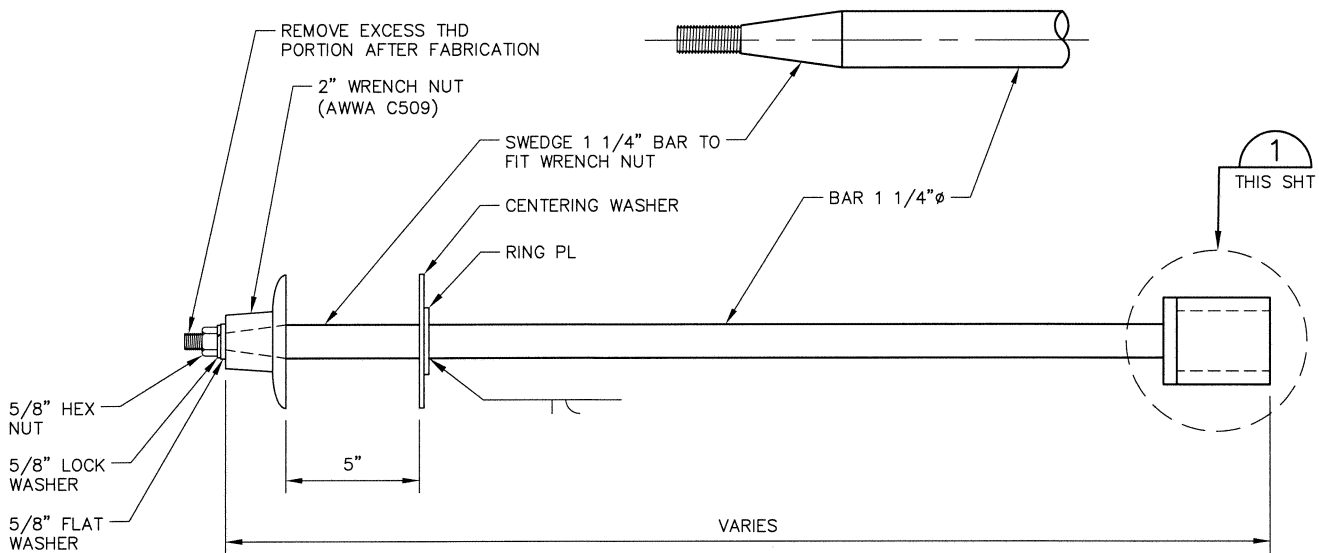
RING PLATE



CENTERING WASHER



DETAIL 1 THIS SHT



VALVE OPERATOR EXTENSION

NOTES:

1. BAR AND PLATE SHALL BE ASTM A 36.
2. HSS SHALL BE ASTM A 500 GR B.
3. ASSEMBLY SHALL BE COATED WITH LIQUID EPOXY, 16 MIL DRY FILM THICKNESS IN ACCORDANCE WITH AWWA C210. COLOR: BLACK SHEEN: FLAT



VALVE OPERATOR EXTENSION

Scale: <u> NONE </u>	Date: <u> May 2018 </u>
Drawn: <u> RLB </u>	Ck: <u> K ROSS </u>
Approved: <u> Stephen C. Peen </u>	Dr. <u> 127 </u> No. <u> 35 </u>