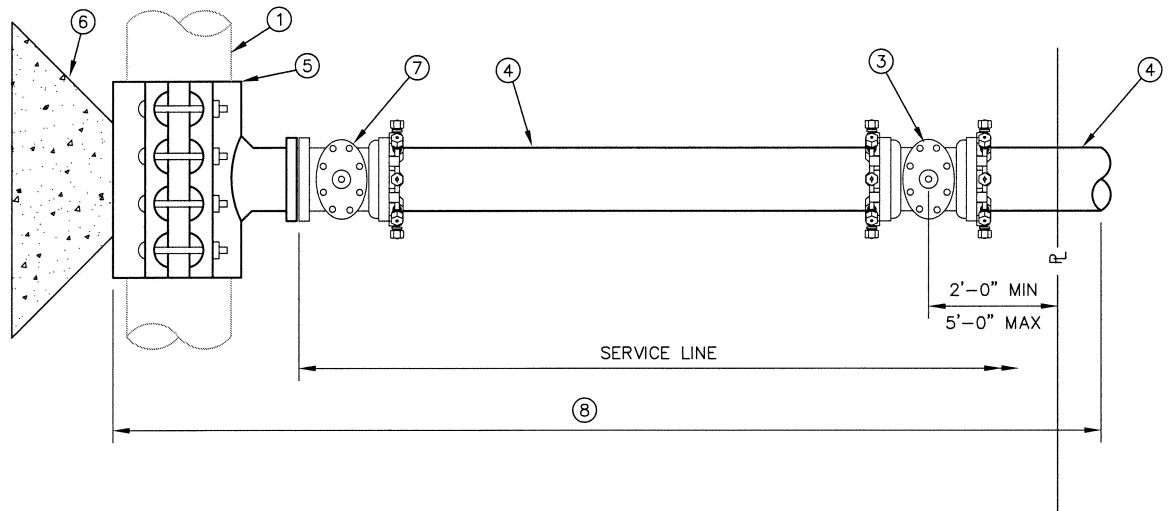


PROPOSED MAIN



EXISTING MAIN

**KEY NOTES:**

- ① EXIST WTR MAIN
- ② MJ ANCHORING TEE
- ③ MJ GV
- ④ DI PIPE FULLY RESTRAINED
- ⑤ TAPPING SLV
- ⑥ CONC KB
- ⑦ TAPPING VALVE FLG x MJ
- ⑧ POLYETHYLENE WRAPPED



**3" & LARGER DOMESTIC & FIRELINE CONNECTIONS**

Scale:   NONE   Date:   May 2018  

Drawn:   RLB   Ck:   K ROSS  

Approved:   Stephen C. Pen   Dr.   127   No.   35