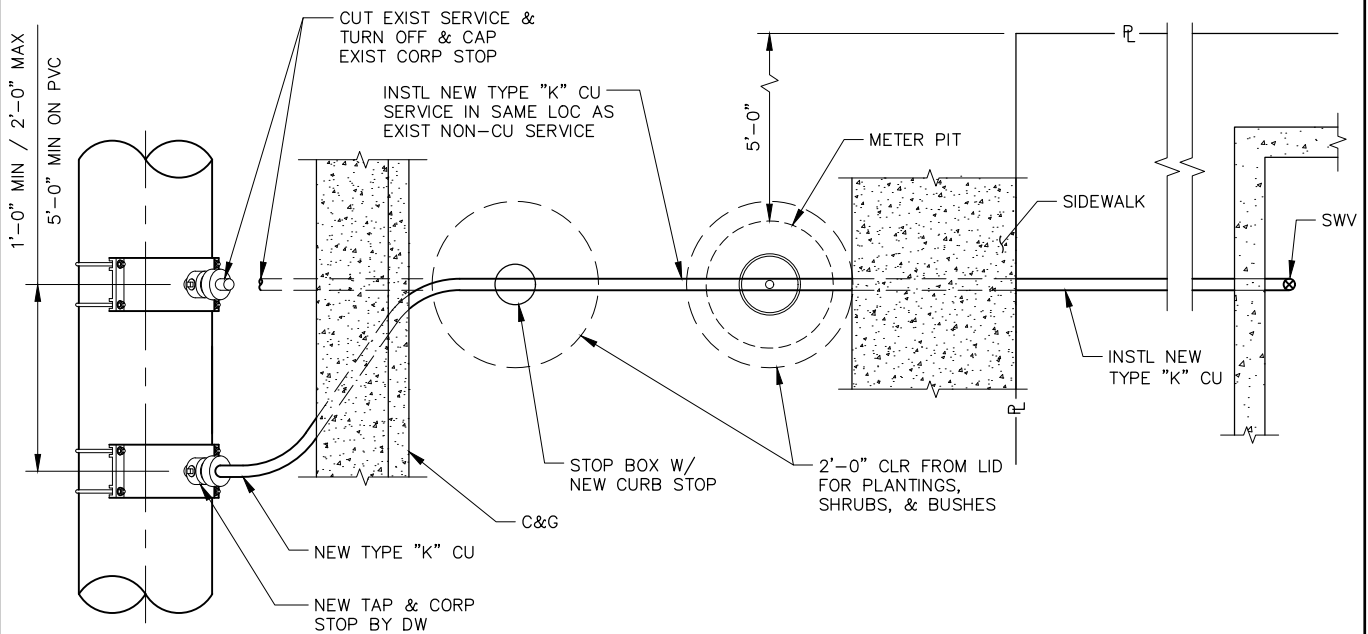


REPLACEMENT ELEVATION



PLAN

NOTES:

1. LIMITS OF REPLACEMENT OF NON-COPPER SERVICE LINE EXTENDS FROM THE TAP TO THE FIRST BRASS FITTING INSIDE THE STRUCTURE.
2. METER SHALL BE RELOCATED FROM AN INSIDE SETTING TO AN OUTSIDE SETTING IN ACCORDANCE WITH SHEET 50.
3. INSTALL METER PIT AND SERVICE LINE IN ACCORDANCE WITH SPECIFICATION SECTION 3.02.
4. FOR REPLACEMENTS ON PVC MAINS, MAINTAIN THE EXISTING TAP LOCATION, REMOVE AND REPLACE THE TAPPING SADDLE WITH A NO-LEAD MODEL LISTED IN MS-23; OR, MAKE A NEW TAP 5'-0" MINIMUM FROM THE EXISTING TAP IN ACCORDANCE WITH 3.07.F.
5. ON EXISTING SERVICE LINES WITH COPPER FROM THE MAIN TO METER, REPLACE THE NON-COPPER SERVICE LINE FROM THE METER TO THE FIRST BRASS FITTING INSIDE THE STRUCTURE.

ERRATA 3

D DENVER WATER	
2" & SMALLER NON-COPPER SERVICE LINE REPLACEMENT	
Scale: <u> NONE </u>	Date: <u> May 2020 </u>
Drawn: <u> RLB </u>	Ck: <u> K ROSS </u>
Approved: <u> <i>[Signature]</i> </u>	Dr. <u> 127 </u> No. <u> 35 </u>