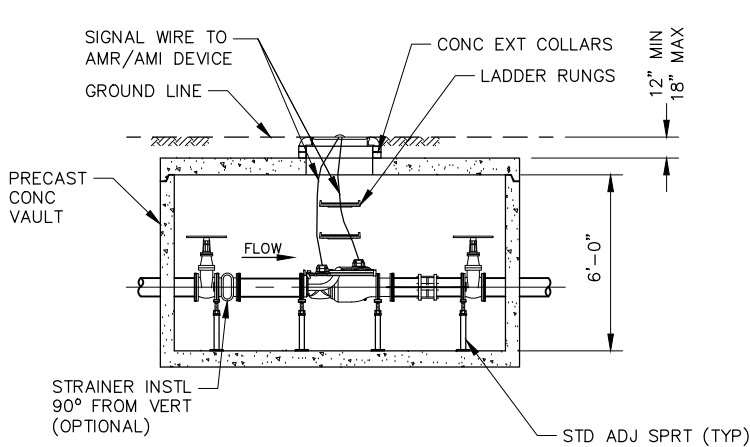
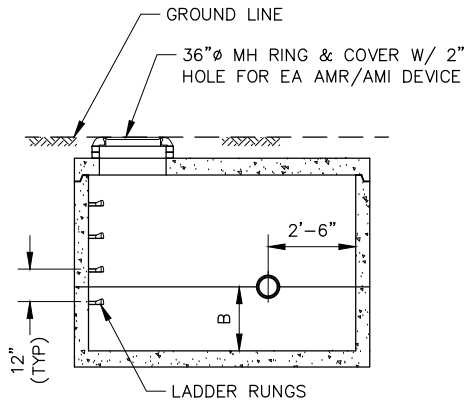


PLAN



SECTION A
THIS SHT



SECTION B
THIS SHT

METER SIZE & NOMINAL PIPE ϕ	PRECAST VAULT DIMENSIONS		SUMP		
	A	B	C	D	E
3"	9'-0"	2'-2"	12" ϕ	2'-2"	1'-6"
4"	9'-0"	2'-2"	12" ϕ	2'-2"	1'-6"
6"	9'-0"	2'-2"	12" ϕ	2'-2"	1'-6"
8"	13'-6"	2'-6"	18" ϕ	2'-6"	1'-9"
10"	13'-6"	2'-6"	18" ϕ	2'-6"	1'-9"

NOTES:

- TREATED/POTABLE WATER VALVES INSIDE THE VAULT SHALL BE NON RISING STEM, RIGHT HAND OPEN VALVES WITH HAND WHEEL OPERATORS.
- RECYCLED WATER VALVES INSIDE THE VAULT SHALL BE NON RISING STEM, LEFT HAND OPEN VALVES WITH HAND WHEEL OPERATORS.
- A CHECK VALVE IS REQUIRED BETWEEN COUPLING AND GATE VALVE IF BACKFLOW PREVENTION ASSEMBLY IS MORE THAN 150- FEET FROM VAULT.
- INSTALL METER VAULT AND SERVICE LINE IN ACCORDANCE WITH SPECIFICATION SECTION 3.02.
- SERVICE LINES SHALL NOT CROSS INSIDE THE METER VAULT.

ERRATA 2

D DENVER WATER

**LARGE METER IN VAULT
(IRRIGATION SERVICE ONLY)**

Scale: <u> NONE </u>	Date: <u> January 2020 </u>
Drawn: <u> RLB </u>	Ck: <u> K ROSS </u>
Approved: <u> <i>[Signature]</i> </u>	Dr. <u> 127 </u> No. <u> 35 </u>