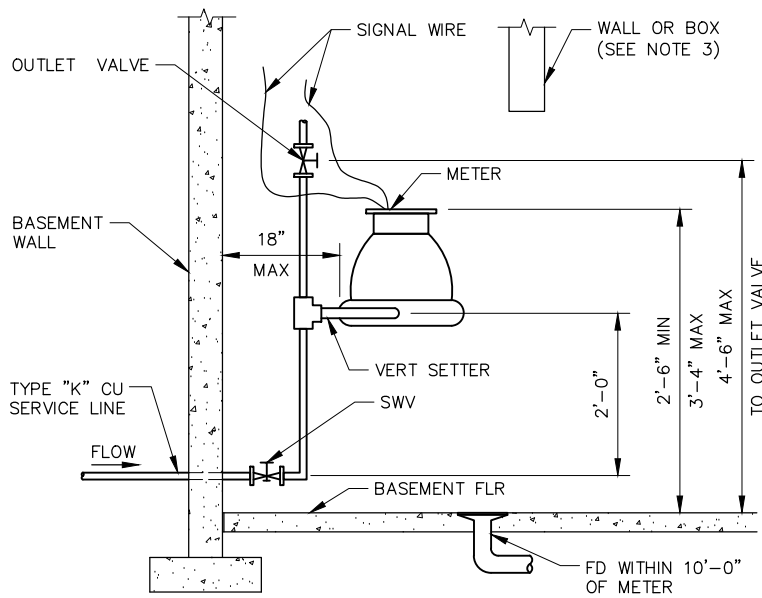
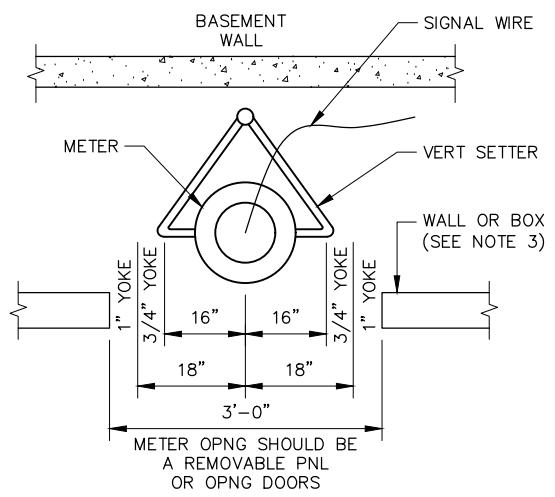


**ISOMETRIC VIEW**



**ELEVATION**



**PLAN**

**ERRATA 2**

**NOTES:**

1. THE METER SHALL BE PROTECTED FROM FREEZING AND DAMAGE.
2. NO BENDS, FITTINGS, CONNECTIONS, OR CHANGES IN PIPE SIZE ARE PERMITTED ON THE SERVICE LINE FROM THE CORPORATION STOP TO THE METER OUTLET VALVES EXCEPT AS SHOWN.
3. IF THE METER IS BOXED IN OR PLACED BEHIND A WALL, PROVIDE AN ACCESS OPENING 36-INCHES WIDE FROM ABOVE THE OUTLET VALVE TO THE FLOOR.
4. VALVES SHALL BE ACCESSIBLE FROM THE OPENING.
5. METER SHALL BE CENTERED IN THE OPENING.

<b>D DENVER WATER</b>	
<b>INSIDE SETTING FOR EXISTING 3/4" &amp; 1" METER WITH AMR</b>	
Scale: <u>  NONE  </u>	Date: <u>  January 2020  </u>
Drawn: <u>  RLB  </u>	Ck: <u>  K ROSS  </u>
Approved: <u>  <i>[Signature]</i>  </u>	Dr. <u>  127  </u> No. <u>  35  </u>