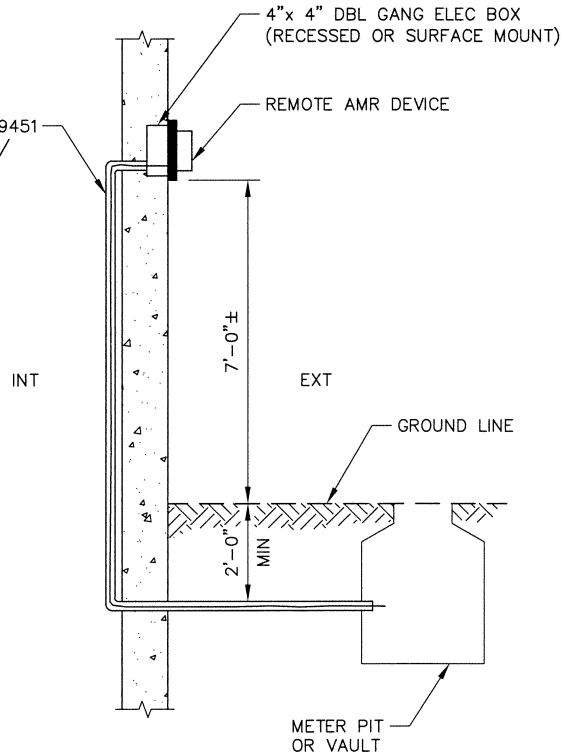


PLAN



ELEVATION

NOTES:

1. THIS DETAIL APPLIES TO OUTSIDE METER SETTINGS AS SHOWN AND TO INSIDE METER SETTINGS.
2. FOR COMPOUND METERS, INSTALL 2 ELECTRICAL BOXES SIDE-BY-SIDE. RUN 2 SIGNAL CABLES IN A SINGLE CONDUIT TO THE METER LOCATION.
3. THE AMR DEVICE MAY BE MOUNTED ON A POST ADJACENT TO THE METER PIT/VAULT WITH DENVER WATER APPROVAL.



**REMOTE AMR DEVICE INSTALLATION
ON OUTSIDE BUILDING WALL**

Scale: NONE Date: May 2018

Drawn: RLB Ck: K ROSS

Approved: [Signature] Dr. 127 No. 35