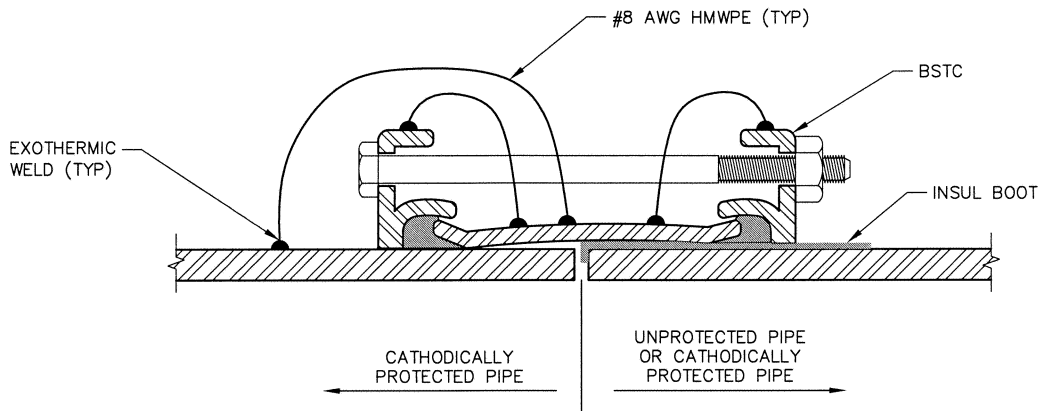


FLANGED JOINT

ROD



INSULATED BOLTED SLEEVE TYPE COUPLING

NOTES:

1. INSULATED SLEEVES AND WASHERS SHALL BE INSTALLED FROM THE SAME SIDE OF UNPROTECTED FLANGE.
2. BOLT HOLES SHALL BE 1/4-INCH DIAMETER LARGER THAN BOLT DIAMETER AT INSULATING SLEEVES.
3. FIELD COATING NOT SHOWN.



**INSULATED FLANGED JOINTS, RODS,
& BOLTED SLEEVE TYPE COUPLINGS**

Scale: NONE Date: May 2018

Drawn: RLB Ck: K ROSS

Approved: Steph C. Ren Dr. 127 No. 35