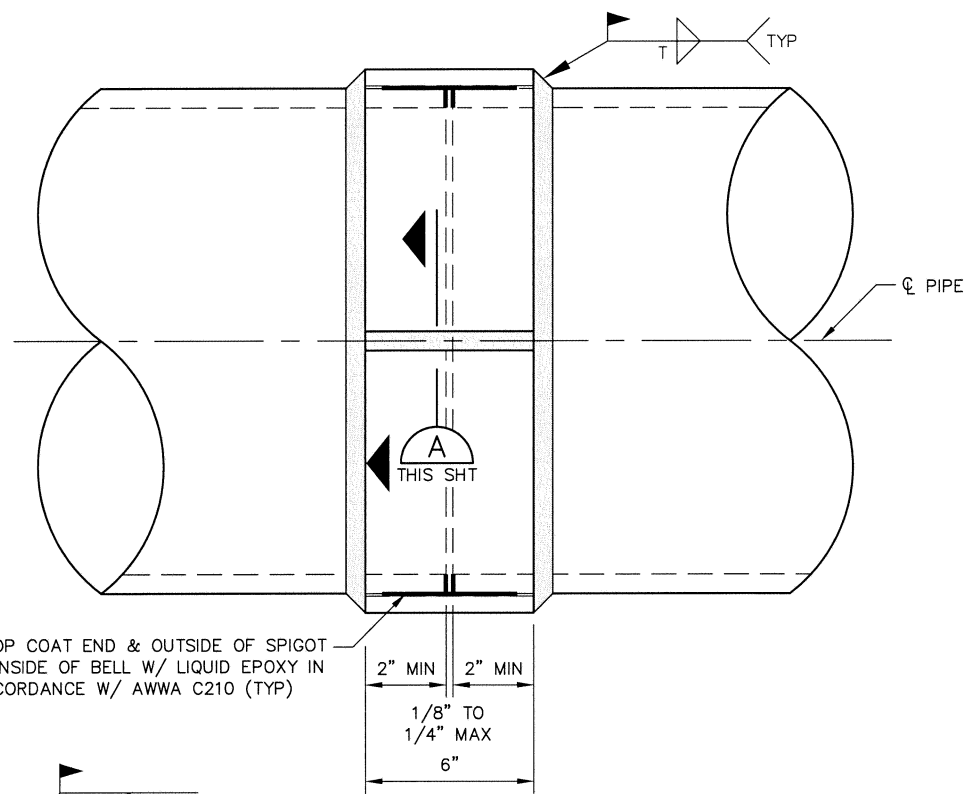
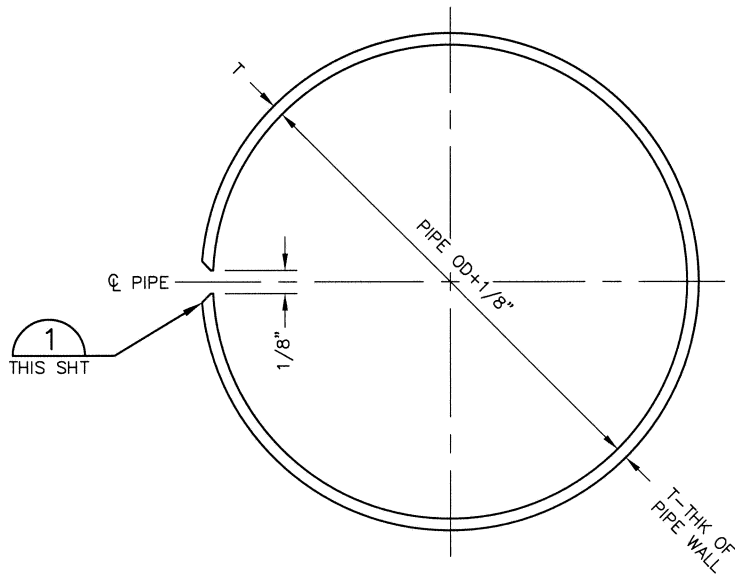
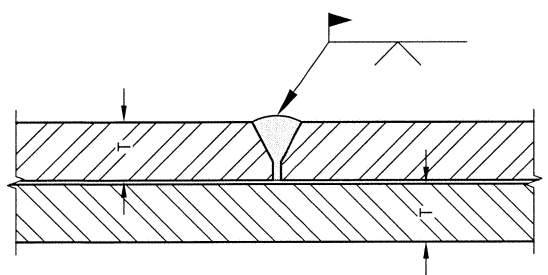


DETAIL 1  
THIS SHT



SHOP COAT END & OUTSIDE OF SPIGOT & INSIDE OF BELL W/ LIQUID EPOXY IN ACCORDANCE W/ AWWA C210 (TYP)

ELEVATION



SECTION A  
THIS SHT

**NOTE:**  
AFTER INSTALLATION, CLOSURE ASSEMBLY SHALL BE FIELD COATED WITH SAME BASIC COATING AS MAIN PIPELINE.

<b>D DENVER WATER</b>	
<b>ONE PIECE BUTTSTRAP 20" &amp; SMALLER</b>	
Scale: <u>  NONE  </u>	Date: <u>  May 2018  </u>
Drawn: <u>  RLB  </u>	Ck: <u>  K ROSS  </u>
Approved: <u>  Steph C. Ream  </u>	Dr. <u>  127  </u> No. <u>  35  </u>